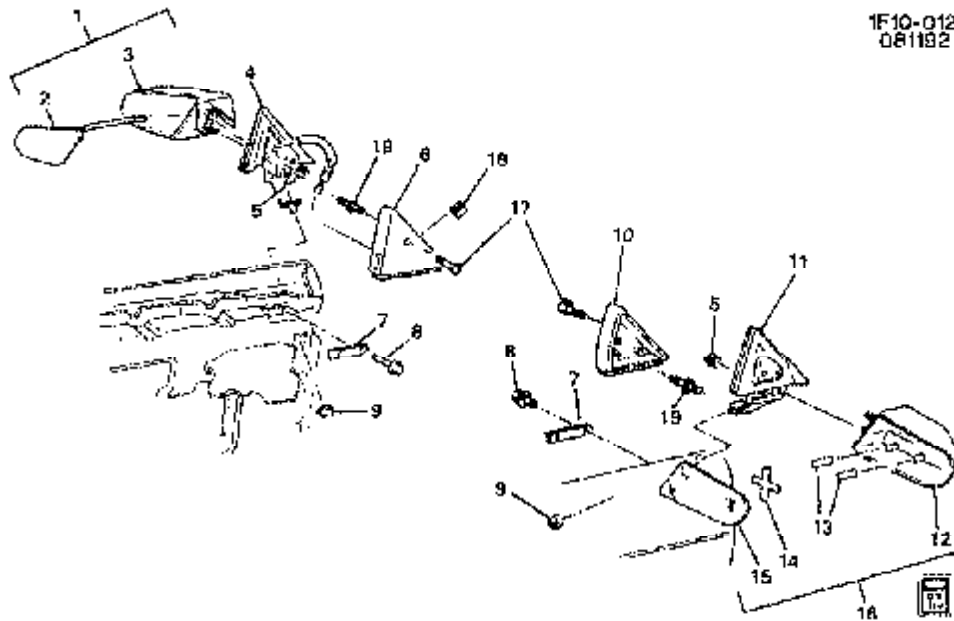


1F10-012
081192



1F10-012

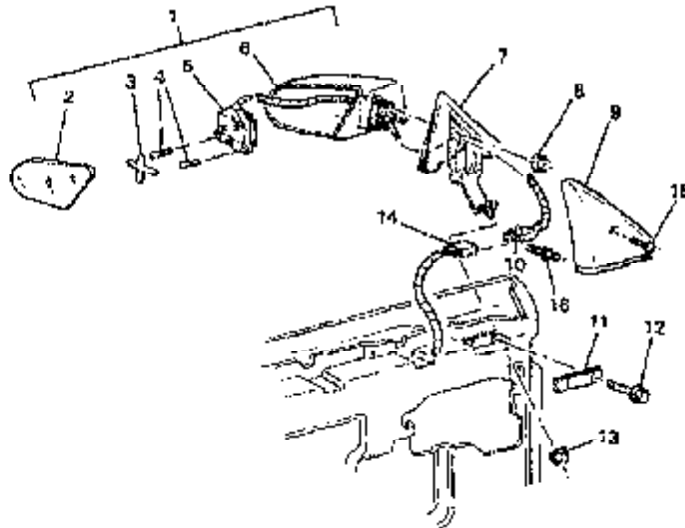
1993-2002 F MIRRORS/REAR VIEW (D35)

| | | | | | | | | |
|-----|-------|--------|--|-------|---------|-------|----|----------|
| 1. | 9-A11 | 10.185 | MIRROR, O/S RR VIEW (INCLS 2, 3) (PAINT TO MATCH) | 93-02 | F (D35) | | LH | 10279332 |
| 2. | 9-A11 | 10.185 | MIRROR KIT, O/S RR VIEW ("SR1" STAMPED ON BTM CTR OF GLS FACE) (PART OF 1) (GLS & TAPE. MUST REUSE OLD FRM BY BREAKING OUT OLD GLS) .. | 93-02 | F (D35) | | LH | 12528850 |
| 3. | | N.S. | HOUSING, O/S RR VIEW MIR (PART OF 1) | | | | | |
| 4. | 9-A11 | 10.185 | APPLIQUE, O/S RR VIEW MIR ... | 93-02 | F | | LH | 10294285 |
| 5. | | 8.617 | NUT, HEX W/CON WA 6X1X5.5 18-OD ZP 9 (O/S RR VIEW MIR) .. | 93-02 | | | 8 | 11517293 |
| 6. | 9-A14 | 10.188 | BEZEL, O/S RR VIEW MIR (R/CON) (INCLS 18, 19) | 93-02 | F (D35) | | LH | 10202729 |
| 7. | 9-A11 | 10.185 | WASHER, O/S RR VIEW MIR APLQ | 93-02 | F | | 2 | 10165428 |
| 8. | | 8.900 | BOLT, HFH (MIX)X20, 13 THD, 13.6 CD, 9.8 PD) (O/S RR VIEW MIR) (AC-DELCO #11517518) .. | 93-02 | | | 4 | 11517518 |
| 9. | | 8.917 | NUT, HEX W/CON WA 6X1X5.5 18-OD ZP 9 (O/S RR VIEW MIR OPG APLQ) | 93-02 | | | 2 | 11517293 |
| 10. | 9-A14 | 10.186 | BEZEL, O/S RR VIEW MIR (R/CON) (INCLS 19) | 93-02 | F | | RH | 10235378 |
| 11. | 9-A11 | 10.185 | APPLIQUE, O/S RR VIEW MIR ... | 93-02 | F | | RH | 10294284 |
| 12. | | N.S. | HOUSING, O/S RR VIEW MIR (PART OF 16) | | | | | |
| 13. | | N.S. | STUD, O/S RR VIEW MIR ADJR BALL (PART OF 16) | | | | | |
| 14. | | N.S. | TRUNNION, O/S RR VIEW MIR (PART OF 16) | | | | | |

| | | | | | | | |
|-----|-------|--------|---|-------|---------------|----|----------|
| 15. | 9-A11 | 10.185 | MIRROR KIT, O/S RR VIEW ["SR1" STAMPED ON BTM CTR OF GLS FACE) (PART OF 16) (GLS & TAPE. MUST REUSE OLD FRM BY BREAKING OUT OLD GLS) | 93-02 | F (D35) | RH | 12528879 |
| 16. | 9-A11 | 10.185 | MIRROR, O/S RR VIEW (INCLS 12-16) (PAINT TO MATCH) | 93-02 | F (D35) | RH | 10279331 |
| 17. | | 8.977 | SCREW, QV HD Q/S W/TRIM WA (4.2X1.41X30) AB PT TORX 6010M | 03-02 | | 4 | 11516002 |
| 18. | | N.S. | CLIP, O/S R/CON RR VIEW MIR CBL (PART OF 6) | | | | |
| 19. | 9-A14 | 10.186 | RETAINER, O/S R/CON RR VIEW MIR BZL (PART OF 6, 10) (2.372) (AC-DELCO #456969) | 93-02 | F | 4 | 456969 |
| | 9-A14 | 10.186 | RETAINER, O/S R/CON RR VIEW MIR BZL (PART OF 6, 10) (2.372) (AC-DELCO #456969) | 02 | F (J36) | LH | 456969 |

RPO DEFINITIONS

D35 - MIRROR, O/S LH REM RH DIRECT C7L, PAINTED



1F10-014
081192



1F10-0141

| | | 1995-2002 F MIRRORS/REAR VIEW (DG7) | | | | | |
|----|-------|-------------------------------------|--|-------|---------------------------|----|----------|
| 1. | 9-A11 | 10.185 | MIRROR, O/S RR VIEW (INCLS 2--6, 10) (PAINT TO MATCH) | 95-96 | F (DG7, U00, U62) | RH | 10279357 |
| | 9-A11 | 10.185 | MIRROR, O/S RR VIEW (INCLS 2--6, 10) (PAINT TO MATCH) | 95-96 | F (DG7, U00, U62) | LH | 10279358 |
| | 9-A11 | 10.185 | MIRROR, O/S RR VIEW (INCLS 2--6, 10) (PAINT TO MATCH) | 95-96 | F (DG7, U65) | RH | 10279359 |
| | 9-A11 | 10.185 | MIRROR, O/S RR VIEW (INCLS 2--6, 10) (PAINT TO MATCH) | 95-96 | F (DG7, U65) | LH | 10279360 |
| | 9-A11 | 10.185 | MIRROR, O/S RR VIEW (INCLS 2--6, 10) (PAINT TO MATCH) | 97-02 | F (DG7) | RH | 10279357 |
| | 9-A11 | 10.185 | MIRROR, O/S RR VIEW (INCLS 2--6, 10) (PAINT TO MATCH) | 97-02 | F (DG7) | LH | 10279358 |
| 2. | 9-A11 | 10.185 | MIRROR, O/S RR VIEW (REFL GLASS ONLY) (PART OF 1) | 96-02 | F (DG7) | RH | 10279513 |
| | 9-A11 | 10.185 | MIRROR, O/S RR VIEW (REFL GLASS ONLY) (PART OF 1) | 96-02 | F (DG7) | LH | 10279514 |
| | 9-A11 | 10.185 | MIRROR, O/S RR VIEW (REFL GLASS ONLY) (NO ID ON GLS FACE) (PART OF 1) | 95 | F (DG7) (2ND DES) | RH | 10279513 |
| | 9-A11 | 10.185 | MIRROR, O/S RR VIEW (REFL GLASS ONLY) (NO ID ON GLS FACE) (PART OF 1) | 95 | F (DG7) (2ND DES) | LH | 10279514 |
| 3. | 9-A11 | 10.185 | TRUNNION, O/S RR VIEW MIR (PART OF 1) | 95-02 | F (DG7) | 2 | 12522163 |
| 4. | | N.S. | STUD, O/S RR VIEW MIR ADJR BALL (PART OF 1) | | | | |
| 5. | 9-A14 | 10.186 | MOTOR, O/S RR VIEW MIR (INCLS 10) (PART OF 1) (10.185) | 96-02 | F (DG7) | RH | 12530165 |
| | 9-A14 | 10.186 | MOTOR, O/S RR VIEW MIR (INCLS 10) (PART OF 1) (10.185) | 96-02 | F (DG7) | LH | 12530166 |
| | 9-A14 | 10.186 | MOTOR, O/S RR VIEW MIR (NO ID STAMP ON CASE) (INCLS 10) (PART OF 1) (10.185) | 95 | F (DG7) (2ND DES) | RH | 12530165 |

R
C
D
U
U
U

| | | | | | | | |
|-----|-------|--------|--|-------|-----------------------------------|----|----------|
| | 9-A14 | 10.186 | MOTOR, O/S RR VIEW MIR (NO ID STAMP ON CASE) (INCLS 10) (PART OF 1) (10.185) | 95 | F (DG7) (2ND DES) | LH | 12530166 |
| | 9-A14 | 10.186 | MOTOR, O/S RR VIEW MIR (SR1 STAMPED ON CASE) (INCLS 10) (PART OF 1) (10.185) | 95 | F (DG7, U00, U02) (1ST DES) | 2 | 10198246 |
| | 9-A14 | 10.186 | MOTOR, O/S RR VIEW MIR (SR1 STAMPED ON CASE) (INCLS 10) (PART OF 1) (10.185) | 95 | F (DG7, U02) (1ST DES) | 2 | 10241156 |
| 6. | | N.S. | HOUSING, O/S RR VIEW MIR (PART OF 1) | | | | |
| 7. | 9-A11 | 10.185 | APPLIQUE, O/S RR VIEW MIR | 95-02 | F | RH | 10294284 |
| | 9-A11 | 10.185 | APPLIQUE, O/S RR VIEW MIR | 95-02 | F | LH | 10294285 |
| 8. | | 8.917 | NUT, HEX W/CON WA 6X1X5.5 16-OD ZP 9 (O/S RR VIEW MIR) | 95-02 | | 6 | 11517293 |
| 9. | 9-A14 | 10.186 | BEZEL, O/S RR VIEW MIR (R/CON) (INCLS 16) | 95-02 | F | RH | 10235278 |
| | 9-A14 | 10.186 | BEZEL, O/S RR VIEW MIR (R/CON) (INCLS 16) | 95-08 | F (DG7) | LH | 10235279 |
| | 9-A14 | 10.186 | BEZEL, O/S RR VIEW MIR (R/CON) (INCLS 16) | 99-02 | F (DG9, DG7) | LH | 10235279 |
| 10. | 9-A11 | 10.185 | CONNECTOR, INLINE--TO 1/8 RR VIEW MIR (PART OF 1, 3) (4-WAY F W/LEADS) (2.535) (AC-DELCO #PT382) | 95-02 | F | 2 | 12102800 |
| 11. | 9-A11 | 10.185 | WASHER, O/S RR VIEW MIR APLQ | 95-02 | F | 2 | 10165420 |
| 12. | | 8.900 | BOLT, HPH (M6X1X20, 13 THD, 13 8 OD, 9.6 PG) (O/S RR VIEW MIR APLQ) (AC-DELCO #11517518) | 95-02 | | 4 | 11517518 |
| 13. | | 8.917 | NUT, HEX W/CON WA 6X1X5.5 16-OD ZP 9 (O/S RR VIEW MIR OPG APLQ) | 95-02 | | 2 | 11517283 |
| 14. | 9-A14 | 10.186 | CONNECTOR, SW-O/S RR VIEW MIR R/CON (BLACK) (4-WAY M) (W/LEADS) (2.535) (AC-DELCO #PT144) | 95-02 | F | 2 | 12085536 |
| 15. | | 8.977 | SCREW, OV HD O/S W/TRIM WA (4.2X1.41X30) AS PT TORX 6010M | 95-02 | | 4 | 11516302 |
| 16. | 9-A14 | 10.166 | RETAINER, O/S R/CON RR VIEW MIR BZL (PART OF 9) (2.372) (AC-DELCO #456969) | 95-02 | FA | | 456969 |

RPO DEFINITIONS

DU0 - MIRROR, OUTSIDE, RH AND LH REMOTE CONTROL ELECTRIC, BREAKAWAY (PAINTED)

DG7 - MIRROR, OUTSIDE, RH AND LH REMOTE CONTROL, ELECTRIC (PAINTED)

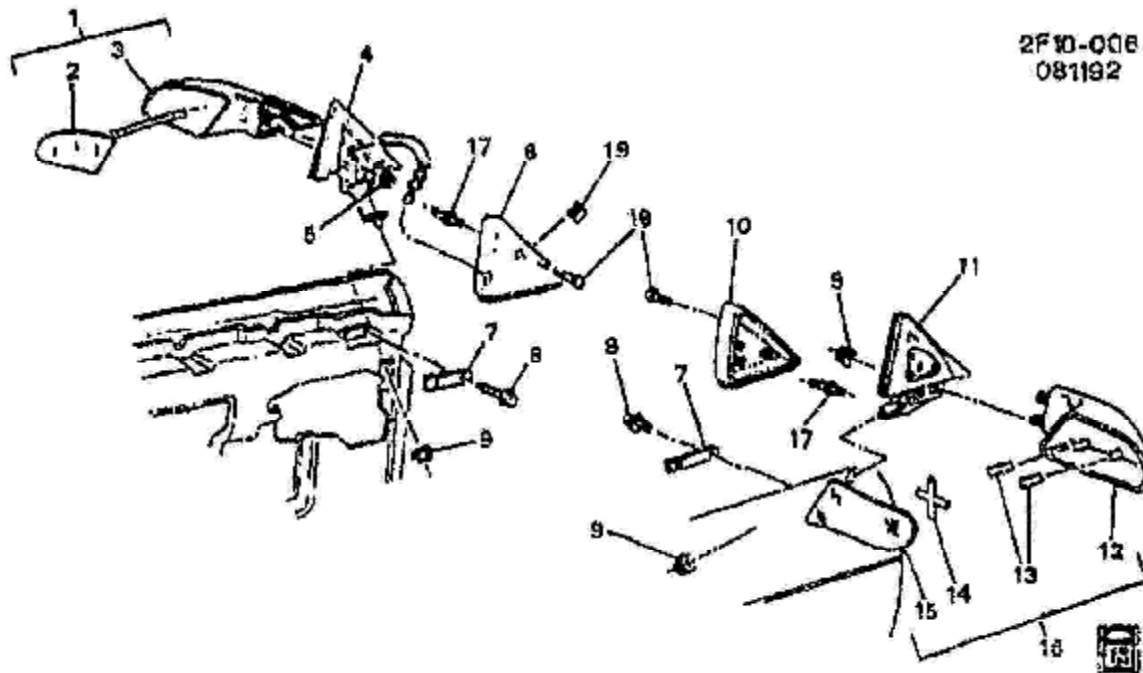
U00 - SPEAKER SYSTEM, 4, DUAL FRONT DOOR MOUNTED, DUAL STANDARD RANGE PACKAGE SHELF/QUARTER

U62 - SPEAKER SYSTEM, 4, DUAL COAX FRONT, DUAL COAX PACKAGE SHELF

U65 - SPEAKER SYSTEM, 5, DUAL FRN DR MTD, DUAL EXT RANGE SAIL PANEL, SINGLE RR COMPARTMENT

U82 - SPEAKER SYSTEM 3, DUAL DR MTD, RR PKG SHELF

2F10-006
081192



2F10-006

1993-2002 F MIRRORS/REAR VIEW (D35)

| | | | | | |
|-----|--------|--|--|---------------|-------------|
| 1. | N.S. | MIRROR, O/S RR VIEW (INCLS 2, 3) (PART OF 2) | | | LH |
| 2. | 10-A11 | 10,185 | MIRROR KIT, O/S RR VIEW (GLS & TAPE) (PART OF 1) (REUSE FRM BY BREAKING OUT OLD GLS) | 93-02 F (D35) | RH 12528881 |
| | 10-A11 | 10,105 | MIRROR KIT, O/S RR VIEW (GLS & TAPE) (PART OF 1) (REUSE FRM BY BREAKING OUT OLD GLS) | 93-02 F (D35) | LH 12528882 |
| 3. | N.S. | HOUSING, O/S RR VIEW MIR (PART OF 1) | | | |
| 4. | 10-A11 | 10,186 | APPLIQUE, O/S RR VIEW MIR | 93-02 F | LH 10294285 |
| 5. | | 8,917 | NUT, HEX W/CON WA 6X1X5.5 18-OD ZP 9 (O/S RR VIEW MIR) | 93-02 | R 11517293 |
| 6. | 10-A14 | 10,186 | BEZEL, O/S RR VIEW MIR (R/CON) (INCLS 17, 19) | 93-02 F (D35) | LH 10282729 |
| 7. | 10-A11 | 10,186 | WASHER, O/S RR VIEW MIR APLQ | 93-02 F | 2 10165429 |
| 8. | | 8,900 | BOLT, HFH (M6X1X20, 13 THD, 13.6 OD, 9.8 PO) (O/S RR VIEW MIR APLQ) (AC-DELCO #11517518) | 93-02 | 4 11517518 |
| 9. | | 8,917 | NUT, HEX W/CON WA 6X1X5.5 18-OD ZP 9 (O/S RR VIEW MIR OPG APLQ) | 93-02 | 2 11517293 |
| 10. | 10-A14 | 10,186 | BEZEL, O/S RR VIEW MIR (R/CON) (INCLS 17) | 93-02 F | RH 10235278 |
| 11. | 10-A11 | 10,185 | APPLIQUE, O/S RR VIEW MIR | 93-02 F | RH 10294284 |
| 12. | N.S. | HOUSING, O/S RR VIEW MIR (PART OF 16) | | | |

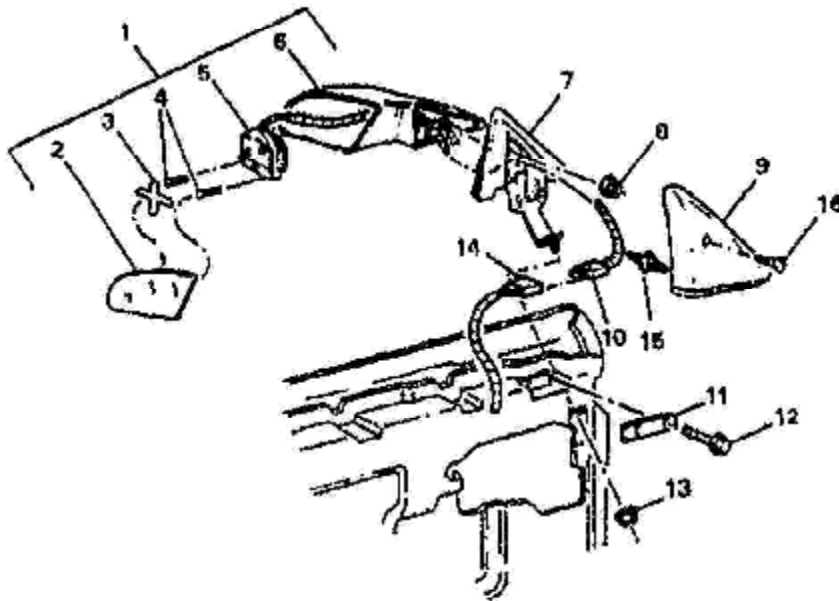
© 2002 GENERAL MOTORS SERVICE PARTS OPERATIONS-PONTIAC-25F

| | | | 2F10-006 | | |
|-----|--------|--------|--|---------------------|-------------|
| 13. | | N.S. | STUD, O/S RR VIEW MIR A/DJR BALL (PART OF 16) | | |
| 14. | | N.S. | TRUNNION, O/S RR VIEW MIR (PART OF 16) | | |
| 15. | 10-A11 | 10.185 | MIRROR KIT, O/S RR VIEW (GLS & TAPE) (PART OF 16) (REUSE FRM BY BREAKING OUT OLD GLS) | 93-02 F (D35) | RH 12528881 |
| 16. | 10-A11 | 10.185 | MIRROR, O/S RR VIEW (INCLS 12-15) (PAINT TO MATCH) | 93-01 F (D35) | RH 10279409 |
| 17. | 10-A14 | 10.188 | RETAINER, O/S R/CON RFI VIEW MIR BZL (PART OF 6, 10) (3.372) (AC-DELCO #458969) .. | 93-02 F | 4 456969 |
| 18. | | 8.977 | SCREW, OV HD C/S W/TRIM WA (4.2X1.41X30) AB PT TORX B010M | 93-02 | 2 11516302 |
| 19. | | N.S. | CLIP, O/S R/CON RR VIEW MIR CBL (PART OF 6) | | |

RPO DEFINITIONS

D35 - MIRROR, O/S L.H. REM RH DIRECT CTL. PAINTED

2F10-012
001092



2F10-012

1993-2002 F MIRRORS/REAR VIEW (DG7)

| | | | | | | |
|----|--------|--------|--|---------------------------|----|----------|
| 1, | 10-A11 | 10.185 | MIRROR, O/S RR VIEW (INCLS 2-6, 10) (TINTED GLASS) (COMPL) (PAINT TO MATCH) | 03-98 F (DG7) | RH | 10279435 |
| | 10-A11 | 10.185 | MIRROR, O/S RR VIEW (INCLS 2-6, 10) (TINTED GLASS) (COMPL) (PAINT TO MATCH) | 93-98 F (DG7) | LH | 10279436 |
| | 10-A11 | 10.185 | MIRROR, O/S RR VIEW (INCLS 2-6, 10) (TINTED GLASS) (COMPL) (PAINT TO MATCH) (1ST DES HAS BLUE TINT GLASS) (FOR 2ND DES SEE 10428121) | 99 F (DG7) (1ST DES) | RH | 10279435 |
| | 10-A11 | 10.185 | MIRROR, O/S RR VIEW (INCLS 2-6, 10) (TINTED GLASS) (COMPL) (PAINT TO MATCH) (1ST DES HAS BLUE TINT GLASS) (FOR 2ND DES SEE 10428122) | 99 F (DG7) (1ST DES) | LH | 10279436 |
| | 10-A11 | 10.185 | MIRROR, O/S RR VIEW (INCLS 2-6, 10) (CLEAR GLASS) (PAINT TO MATCH) (2ND DES HAS NO TINT) (FOR 1ST DES SEE 10279435) | 99 F (DG7) (2ND DES) | RH | 10428121 |
| | 10-A11 | 10.185 | MIRROR, O/S RR VIEW (INCLS 2-6, 10) (CLEAR GLASS) (PAINT TO MATCH) (2ND DES HAS NO TINT) (FOR 1ST DES SEE 10279436) | 99 F (DG7) (2ND DES) | LH | 10428122 |
| | 10-A11 | 10.185 | MIRROR, O/S RR VIEW (INCLS 2-6, 10) (CLEAR GLASS) (PAINT TO MATCH) | 00-02 F (DG7) | RH | 10428121 |
| | 10-A11 | 10.185 | MIRROR, O/S RR VIEW (INCLS 2-5, 10) (CLEAR GLASS) (PAINT TO MATCH) | 00-02 F (DG7) | LH | 10428122 |

© 2002 GENERAL MOTORS SERVICE PARTS OPERATIONS-PONTIAC-25F

| | | | 2F10-012 | |
|----|--------|--------|--|---------------------------------------|
| 2. | 10-A11 | 10.185 | MIRROR, O/S RR VIEW (REFL GLASS ONLY) (DOES NOT HAVE ID ON GLS FACE) (PART OF 1) (BLUE TINT) (GLS & FRM) | 95-98 F (DG7) RH 10279515 |
| | 10-A11 | 10.185 | MIRROR, O/S RR VIEW (REFL GLASS ONLY) (DOES NOT HAVE ID ON GLS FACE) (PART OF 1) (BLUE TINT) (GLS & FRM) | 95-98 F (DG7) LH 10279516 |
| | 10-A11 | 10.185 | MIRROR, O/S RR VIEW (REFL GLASS ONLY) (DOES NOT HAVE ID ON GLS FACE) (PART OF 1) (BLUE TINT) (GLS & FRM) (1ST DES HAS BLUE TINT GLASS) (FOR 2ND DES SEE 10443713) .. | 99 F (DG7) (1ST DES) RH 10279515 |
| | 10-A11 | 10.185 | MIRROR, O/S RR VIEW (REFL GLASS ONLY) (DOES NOT HAVE ID ON GLS FACE) (PART OF 1) (BLUE TINT) (GLS & FRM) (1ST DES HAS BLUE TINT GLASS) (FOR 2ND DES SEE 10443712) .. | 99 F (DG7) (1ST DES) LH 10279516 |
| | 10-A11 | 10.185 | MIRROR, O/S RR VIEW (REFL GLASS ONLY) (DOES NOT HAVE ID ON GLS FACE) (PART OF 1) (CLEAR GLASS) (2ND DES HAS NO TINT) (FOR 1ST DES SEE 10279516) | 99 F (DG7) (2ND DES) LH 10443712 |
| | 10-A11 | 10.185 | MIRROR, O/S RR VIEW (REFL GLASS ONLY) (DOES NOT HAVE ID ON GLS FACE) (PART OF 1) (CLEAR GLASS) (2ND DES HAS NO TINT) (FOR 1ST DES SEE 10279515) | 99 F (DG7) (2ND DES) RH 10443713 |
| | 10-A11 | 10.185 | MIRROR, O/S RR VIEW (REFL GLASS ONLY) (DOES NOT HAVE ID ON GLS FACE) (PART OF 1) (CLEAR GLASS) | 00-02 F (DG7) LH 10443712 |
| | 10-A11 | 10.185 | MIRROR, O/S RR VIEW (REFL GLASS ONLY) (DOES NOT HAVE ID ON GLS FACE) (PART OF 1) (CLEAR GLASS) | 00-02 F (DG7) RH 10443713 |
| | 10-A11 | 10.185 | MIRROR KIT, O/S RR VIEW ("SR1" STAMPED ON BTM CTR OF GLS FACE, GLS & TAPE) (PART OF 1) (REUSE FRM BY BREAKING OUT OLD GLS) | 93-94 F (DG7) LH 12528882 |
| | 10-A11 | 10.185 | MIRROR KIT, O/S RR VIEW (GLS & TAPE, "SR1" STAMPED ON BTM CTR OF GLS FACE) (PART OF 1) (REUSE OLD FRM BY BREAKING OUT OLD GLS) | 93-94 F (DG7) RH 12528881 |
| 3. | 10-A11 | 10.185 | TRUNNION, O/S RR VIEW MIR (PART OF 1) | 93-02 F (DG7) 2 12522163 |
| 4. | | N.S. | STUD, O/S RR VIEW MIR ADJR BALL (PART OF 1) | |
| 5. | 10-A14 | 10.186 | MOTOR, O/S RR VIEW MIR (INCLS 10) (PART OF 1) (10.185) . | 93-94 F (DG7) 2 10198246 |
| | 10-A14 | 10.186 | MOTOR, O/S RR VIEW MIR (INCLS 10) (PART OF 1) (10.185) . | 96-02 F (DG7) RH 12530165 |

| | | | | | | 2F10-012 | |
|--------|--------|---|-------|-------------------|----|----------|--|
| 10-A14 | 10.186 | MOTOR, O/S RR VIEW MIR (INCLS 10) (PART OF 1) (10.185) | 96-02 | F (DG7) | LH | 12530166 | |
| 10-A14 | 10.186 | MOTOR, O/S RR VIEW MIR (NO ID STAMP ON CASE) (INCLS 10) (PART OF 1) (10.185) | 95 | F (DG7) (2ND DES) | RH | 12530165 | |
| 10-A14 | 10.186 | MOTOR, O/S RR VIEW MIR (NO ID STAMP ON CASE) (INCLS 10) (PART OF 1) (10.185) | 95 | F (DG7) (2ND DES) | LH | 12530165 | |
| 10-A14 | 10.186 | MOTOR, O/S RR VIEW MIR (SR1 STAMPED ON CASE) (INCLS 10) (PART OF 1) (10.185) | 95 | F (DG7) (1ST DES) | 2 | 10198246 | |
| 6. | N.S. | HOUSING, O/S RR VIEW MIR (PART OF 1) | | | | | |
| 7. | 10-A11 | 10.185 | 93-02 | F | RH | 10294264 | |
| | 10-A11 | 10.185 | 93-02 | F | LH | 10294265 | |
| 8. | 8.917 | NUT, HEX W/CON WA 6X1X5.5 16-OD ZP 9 (O/S RR VIEW MIR) | 93-02 | | 6 | 11517293 | |
| 9. | 10-A14 | 10.186 | 93-02 | F | RH | 10235278 | |
| | 10-A14 | 10.186 | 93-02 | F (DG7) | LH | 10235279 | |
| 10. | 10-A11 | 10.185 | 93-99 | F | 2 | 12102900 | |
| 11. | 10-A11 | 10.185 | 93-02 | F | 2 | 10165429 | |
| 12. | 8.900 | BOLT, HFH (M6X1X20, 13 THD, 13.6 OD, 9.8 PO) (O/S RR VIEW MIR APLO) (AC-DELCO #11517518) | 93-02 | | 4 | 11517518 | |
| 13. | 8.917 | NUT, HEX W/CON WA 6X1X5.5 16-OD ZP 9 (O/S RR VIEW MIR OPG APLG) | 93-02 | | 2 | 11517293 | |
| 14. | 10-A11 | 10.185 | 93-02 | F | 2 | 12085536 | |
| 15. | 10-A14 | 10.186 | 93-02 | F | 4 | 456969 | |
| 16. | 8.977 | SCREW, OY HD O/S W/TRIM WA (4.2X1.41X30) AB PT TORX 6010M | 93-02 | | 2 | 11516302 | |

RPO DEFINITIONS

DG7 - MIRROR, OUTSIDE, RH AND LH REMOTE CONTROL, ELECTRIC (PAINTED)